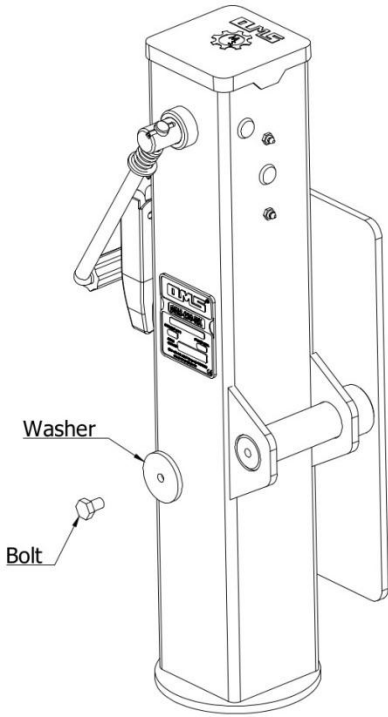


BACK PLATE ASSEMBLING INSTRUCTION



-Loosen the bolt.

-Take the washer out.

- Remove the faulty back plate out.

-Take the new back plate and replace it with faulty one.

-Put the washer back.

- Before tightening the bolt, apply adhesive loctite to the bolt surface.

- Tighten the bolt.

